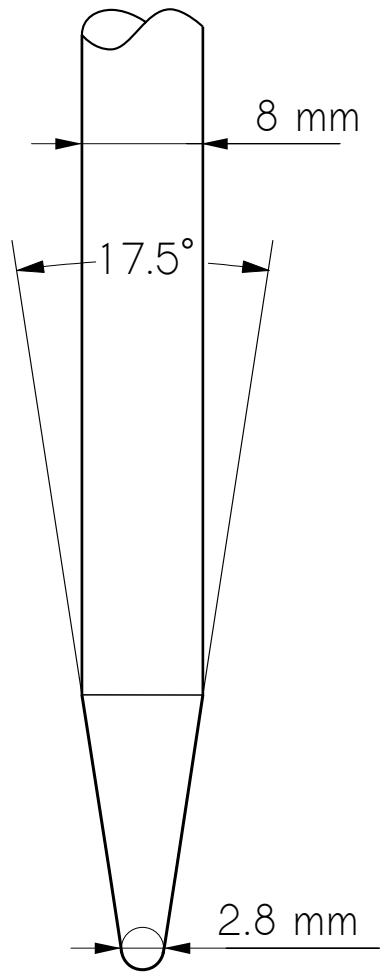
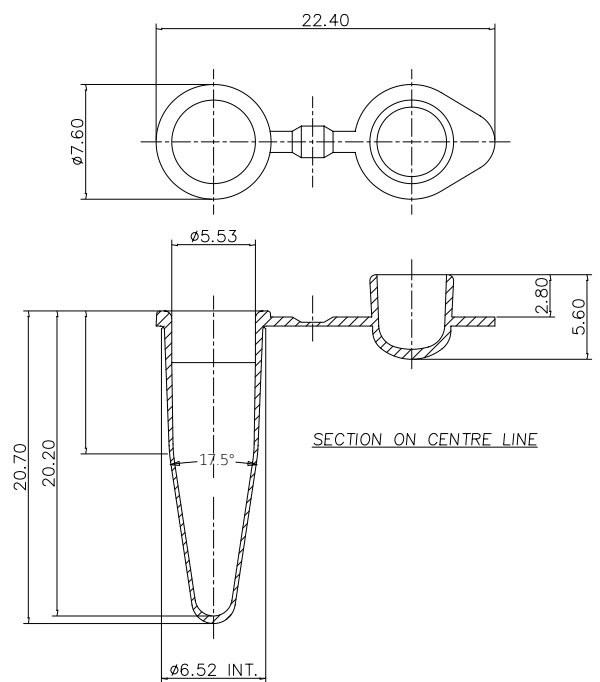


Drill for Eppendorf PCR Tube 0.2 ml



2:1

Eppendorf PCR Tube 0.2 ml



AB-0337